

## CR-100 & CR-200 COPY ROUTERS



▲ CR-200 Twinhead Copy Router



▲ CR-100 Twinhead Copy Router

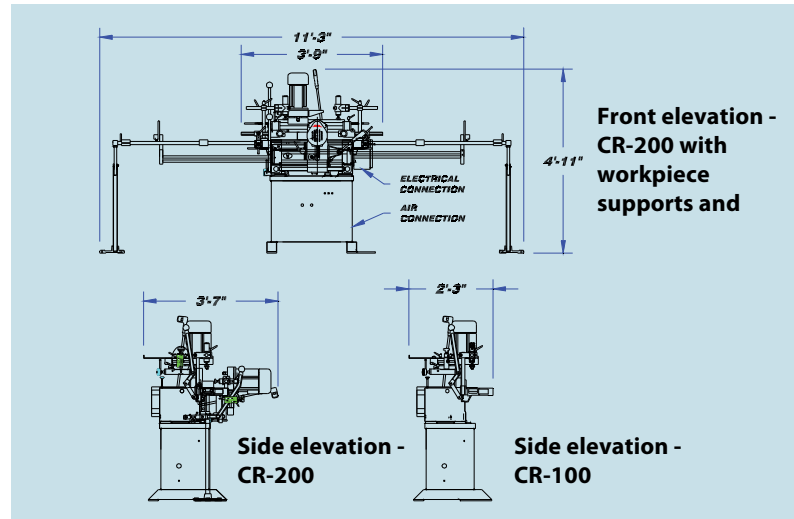
### Features

- Heavy-duty copy routers for PVC or aluminum profiles
- Cast aluminum machine base with enclosed sheet metal stand
- Both models include two standard horizontal and pneumatic clamps with foot pedal operator
- Spraymist coolant system for aluminum routing applications standard
- Three step copy pin - 5, 8, 10 mm
- Three position revolving depth stop
- Blank templates, one per routing head; custom templates available upon request
- Optional workpiece supports and measuring devices available for gauging off-end, on-center & off-center routing applications

ROUTERS / 02-10

[www.cseautomationllc.com](http://www.cseautomationllc.com)

# CR-100 & CR-200 COPY ROUTERS



TECHNICAL SPECIFICATIONS CR Single & Twinhead Copy Routers	CR-1	CR-2
<b>Approximate Machine Dimensions</b>		
Length	45"	45"
Width (Depth)	27"	43"
Height	59"	59"
Weight	200 lbs.	275 lbs.
Maximum router head stroke - Vertical	11.8" x 3.95"	11.8" x 3.95"
Horizontal		
Maximum router spindle stroke - Vertical	5.5"	5.5"
Horizontal		
<b>Utility Requirements (CSA Certification available)</b>		
Standard Voltage**	220 / 440 Volts, 3 Ph. 50 - 60 Hz	220 / 440 Volts, 3 Ph. 50 - 60 Hz
Horsepower / Speed (per motor)	1.6 hp / 3,230 rpm	2 - 1.6 hp / 3,230 rpm
Amperage (FLA, total)	6.7 / 3.3 amps	12.9 / 6.4 amps
Air Pressure	80 to 120 psi	80 to 120 psi
Air Consumption, estimated	.5 cu.ft. / cycle	.65 cu.ft. / cycle
**Optional voltages available upon request		
<i>Technical information as of October, 2003. CSE Automation, LLC, reserves the right to make changes.</i>		

CR-100 & CR-200 / 02-10



[www.cseautomationllc.com](http://www.cseautomationllc.com)

CSE Automation, LLC • 7826 CenTech Road, Omaha, NE 68138 • Phone: (402)861-6100 • Fax: (402)861-6199