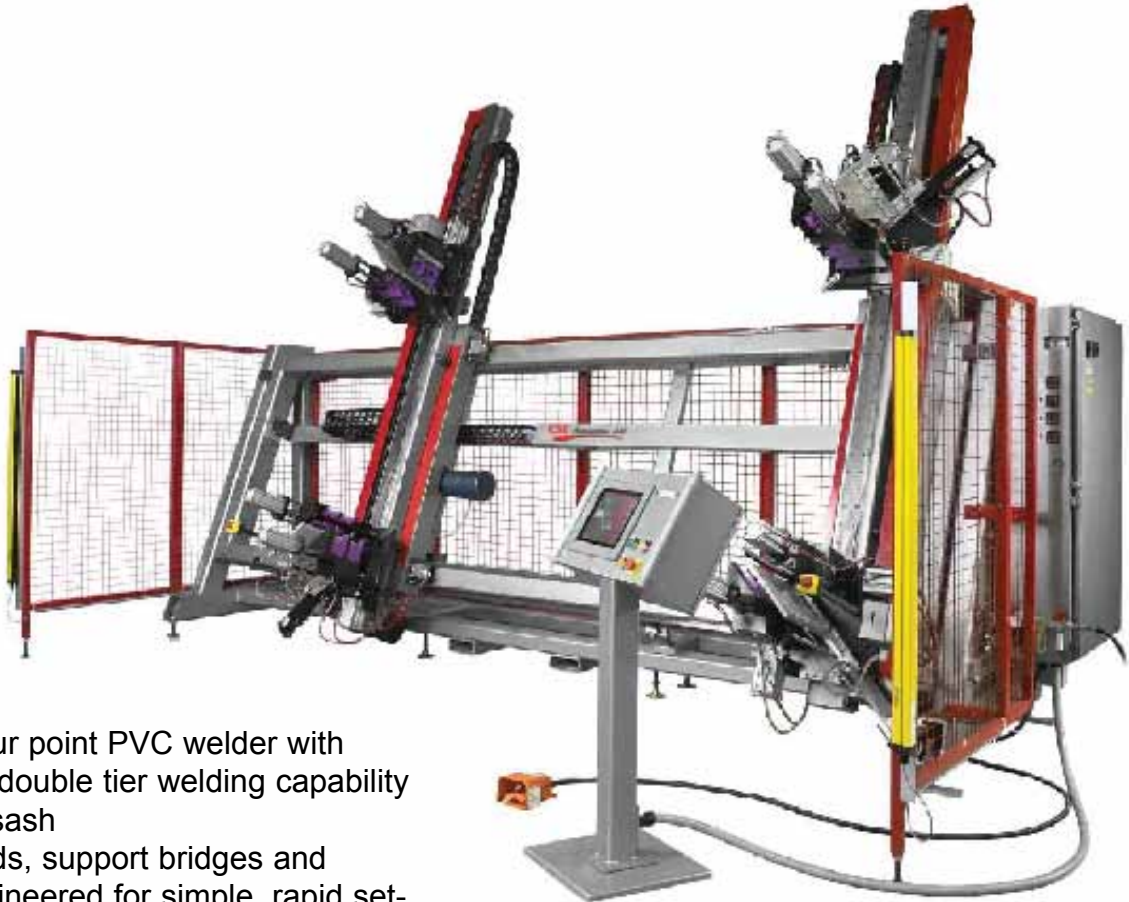
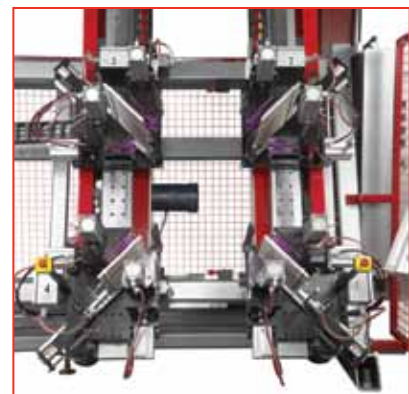


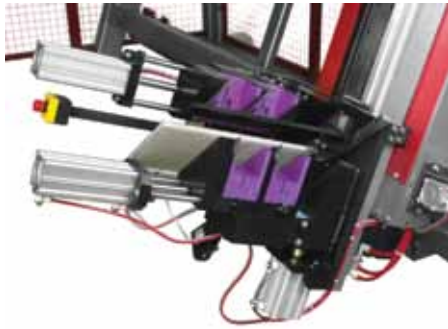
## VW-400 VERTICAL WELDER



### Features

- Automatic four point PVC welder with single tier or double tier welding capability for frame or sash
- Welding heads, support bridges and bearings engineered for simple, rapid set-up, minimal adjustment and longevity
- Weld head design features parallel welding capability
- Heavy-duty, welded steel frame avoids twist and deflection
- Vertical movement via ballscrew axes; horizontal movement via two precise spur gear racks
- Small operating footprint - machine can be placed against a wall, or back to back with another welder
- Optional welding of notched frames for sloped sill window systems
- Available in weld size capacities from 72" x 72" to 144" x 96"
- Operator interface via industrial grade PC workstation with flat panel, liquid crystal display, touch screen functionality and operation software developed by CSE Automation, LLC for optimum efficiency

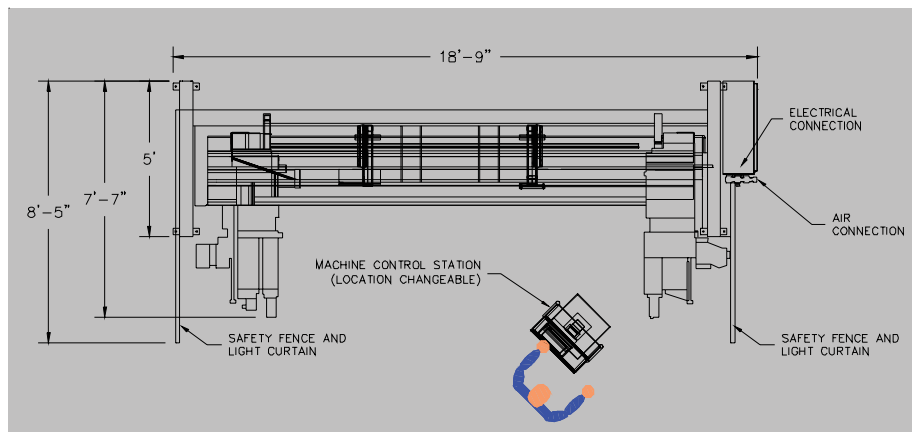




# VW-4000 VERTICAL WELDER

▲ “Clamp-to-Center” design with fixed tier reference point providing true independent welding between top and bottom tier, minimizing “out-of-face” welds.

▲ Industrial PC color interface with touch screen functionality



▲ Dimensioned 12' x 8' machine footprint with standard safety light-curtain

## TECHNICAL SPECIFICATIONS

### VW-4000 Vertical Welder

#### Profile Capacities Data\*

Maximum profile height	6.0" without fixtures (5.375" with fixtures)
Maximum profile width	5.0" (extrusion cross-section including nail or stucco fin)

#### Weld Size Capacity Data\*

Maximum weld size	100" x 76" without fixtures (96" x 72" with fixtures)
Minimum weld size	14.25" x 14.25" without fixtures (10.25" x 10.25" with fixtures)

\* Subject to change based upon fixture requirements, profile shape, complexity and angle of notch for sloped sill systems

#### Approximate Machine Dimensions (8' x 6' Model)

Length	16' - 8"
Width	7' - 7"
Height	10' - 11"
Weight	7,500 lbs.

#### Utility Requirements (CSA Certification Available)

Standard Voltage	220** Volts, 3 Phase, 50-60 Hz (Alternate voltages by transformer)
Amperage (FLA)	31.5 amps
Air pressure	80 to 120 psi
Air Consumption, estimated	9.0 cu.ft./cycle

\*\* 240 Volts recommended

Technical information as of December 7, 2006. CSE Automation, LLC reserves the right to make changes.

VW-4000 / 02-10

**CSE** Automation, LLC

www.cseautomationllc.com

CSE Automation, LLC • 7826 CenTech Road, Omaha, NE 68138 • Phone: (402)861-6100 • Fax: (402)861-6199