

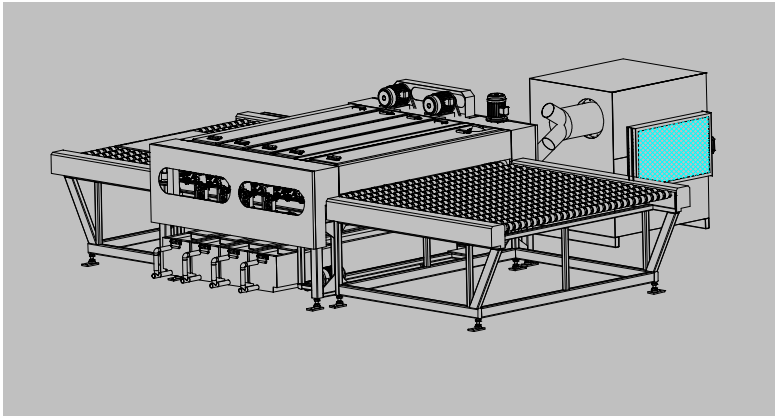
## HGW-2150 GLASS WASHER




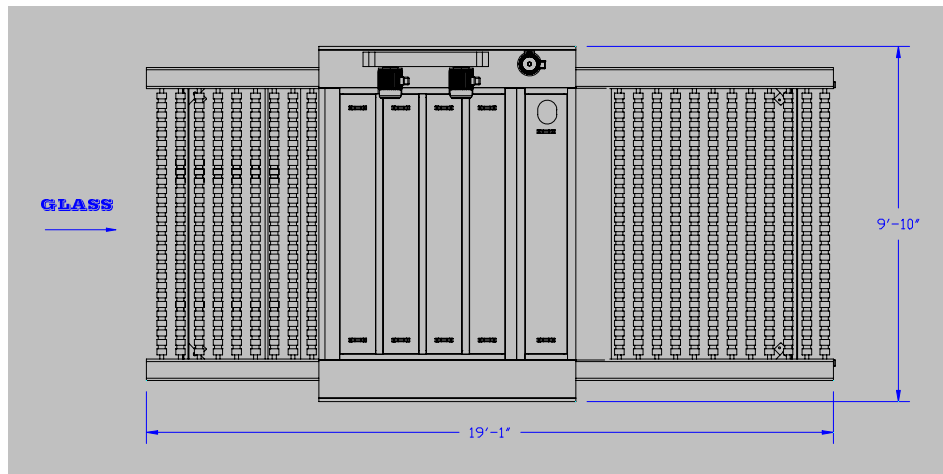
### Features


- 8 Brush Integrated Washer and Dryer for Low-E or standard glass
- Domestically sourced Low-E and standard nylon bristle brushes
- Rugged, heavy-duty steel construction
- Stainless steel construction in all water contact areas
- Engineered for fast and easy-access and maintenance
- Motor driven ball screw drive for raising and lowering top cover
- Water tanks on casters for easy maintenance and cleaning
- 4 Tank water recirculation system
- Hibernation mode when no glass is present
- Automatic shut-off heaters with low or no water conditions
- Quick change water nozzles
- Allen-Bradley Programmable Logic Controller
- All electrical components are CSA/UL Approved

# HGW-2150 HORIZONTAL GLASS WASHER



 Isometric view of the HGW-2150



 Dimensioned machine footprint

## Technical Specifications

<b>Max. Glass Size:</b>	84" Wide
<b>Min. Glass Size:</b>	12" x 12"
<b>Min. / Max. glass thickness:</b>	.086" / .256"
<b>Washing speed:</b>	0 - 26' per minute
<b>Electrical:</b>	220 / 440 Volts, 60 Hz, 3 phase
<b>Compressed air:</b>	90 psi
<b>Machine dimensions:</b>	Length – 19' - 1"
	Width – 9' - 10"
	Height – 5' - 1"
<b>Working Height:</b>	34" - 36" (adjustable)
<b>Blower dimensions:</b>	Length – 4' - 1"
	Width – 3' - 7"
	Height – 4' - 11"

HGW-2150 / Apr-04-07

*Carlson Systems Engineering, LLC*

Omaha Operations  
7826 CenTech Road • Omaha, NE 68138

Twinsburg Operations  
2368 E. Enterprise Pkwy. • Twinsburg, OH 44087  
[www.carlsonengineering.com](http://www.carlsonengineering.com)